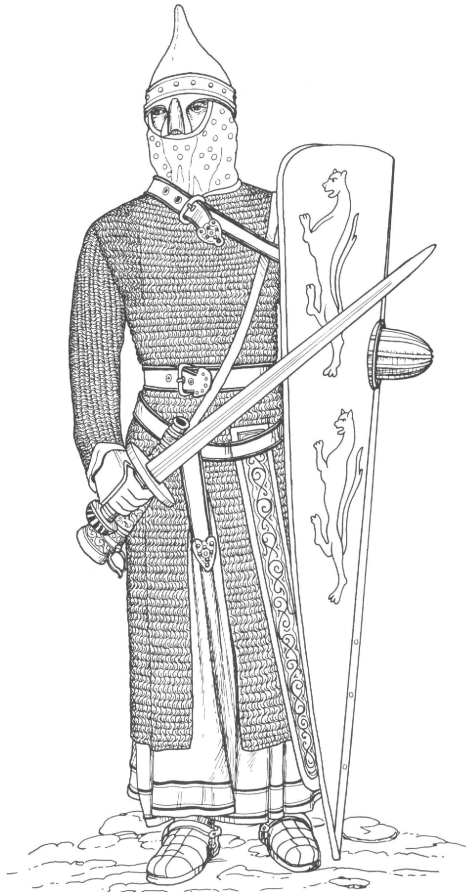


The Mudduppy



*The Newsletter of the
Barony of Settmour Swamp*

March A.S. XLIV

Calendar of Events

March 2010

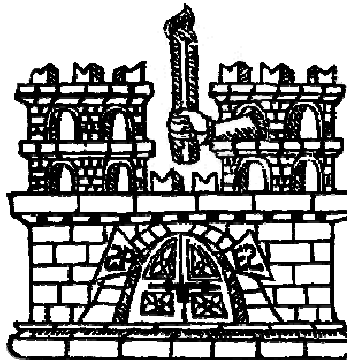
- 3 Noisemakers Schola V, Bailiwick of Ivyeinrust, (Clifton Heights, PA)
- 6 (RP) Festa di Michealangelo and King's and Queen's Arts & Science Championship, Barony of Carolingia (Needham, MA)**
- 10 Baronial business meeting at the home of Alexander and Cass, 7:30 PM
- 13 Nova Schola, Shire of Hartshorn Dale (Center Square, PA)
- 13 The Bog's Birthday, Barony of Iron Bog (Moorestown, NJ)
- 16 Canton of Marwick meeting
- 25 *Deadline for Mudpuppy submissions*
- 27 (RP) Mudthaw, Barony of Settmour Swamp (Livingston, NJ)**

April 2010

- 10 (RP) Coronation of Edward and Marguerite, Barony of Bergental (West Springfield, MA)**
- 14 Baronial business meeting
- 17 (RP) Balfar's Challenge, Barony of Dragonship Haven (Meriden, CT)**
- 20 Canton of Marwick meeting
- 23-25 (RP) Southern Region Spring War Practice, Owlsherst (York Haven, PA)**
- 24 Spring Thynges VII – The Taming of the Arrow, Caer Adamant (Middletown, DE)
- 25 *Deadline for Mudpuppy submissions*

For information on the Sunday practices held in Flemington, please contact the baronial seneschal at seneschal@settmourswamp.eastkingdom.org

This month's cover from Knights and Armor , Dover Publications, Inc. French nobleman, 1130.



Greetings unto the Glorious Swamp!

We do hope that all of you are surviving the snow and cold, but have hope, Spring is almost here.

On February 14th we traveled south to visit our friends in The Barony of Carillion and to help celebrate their Baronial birthday at Bellringers. It was good seeing everyone there and we were glad they were able to have the event despite being forced by snow to change the date.

On February 27th we hosted Their Majesties for the occasion of selecting the new King's and Queen's Rapier Champions. We would like to thank our Autocrat, Orlando, and the Head Cook, Charis, for both doing a wonderful job. The event ran smoothly and everyone had a wonderful time. The feast was delicious (Their Majesties were very pleased) and no one went home hungry. As always we will leave the full event staff thank you to the Autocrat and Cook.

Our next event will be the 30th annual celebration of the Thawing of the Mud in our beloved Swamp. Their Majesties plan to attend and so do Their Highnesses to help us celebrate this grand occasion. As always Mudthaw will feature one of the largest double elimination tourneys in the Kingdom, in addition to a fencing tourney, thrown weapons and youth combat. Unfortunately we are no longer able to have archery at the site. So please come on out and fight, fence and throw or just relax and watch. Our autocrat, Master Alexander Younger, still needs help in some areas. Contact him if you can lend a hand. Our cook, Lady Cassandra Matisse, is planning a wonderful feast for the evening. We are sure you would not want to miss it, so please get your reservations in early. To help save time at Troll we encourage all to use the express check in system. This will get you in to the event quicker and help keep the lines down at troll.

We will be leading a Baronial road trip on May 15th to the Metropolitan Museum of Art. There are two exhibits of great interest that we would like to see. They are The Art of Illumination: The Limbourg Brothers and the Belles Heures of Jean de France, Duc de Berry, and The Mourners: Medieval Tomb Sculptures from the Court of Burgundy. Both represent unique opportunities to view these medieval works of art. Nothing would please us more then to share this experience with the members of our Barony. We do hope many of you will come out with us on the 15th.

Eric the Horseman has been chosen to autocrat Quest this year at our traditional site. We all know he has done this many times but he still needs your help. It's a long weekend with many tasks to perform. Just an hour or two from each of us and we can all have a good time. Start planning now and let Eric know. This year's quest will be written by Don Orlando and it is "The Quest for the Tenth Worthy Warrior". The feast will be cooked by Lady Charis Accipiter. We would ask all of our champions to contact us so we can review your plans for selecting your successor.

As you read this, the snows of winter have hopefully left our lands and it is time to start thinking of Pennsic. The Barony is registered with the Land office and pre-registration is open for Pennsic 39. If you have any interest in being our camp coordinator (Camp Mommy / Slum Lord) please contact us or our Seneschal before the May business meeting. As of now Baron Alexander is listed as land agent. If you have any interest in either being land agent or helping with land grab weekend please contact him.

See you at Mudthaw XXX,

Alexander & Rhiannon



Announcement of Baronial Officer Elections

Current Vacancies

Three officer positions are vacant and available immediately. Please come forward if you are interested.

Youth Marshall – Responsible for overseeing youth combat activities. The rules of the East Kingdom require **youth marshals to have a valid background check** and supervise practices using a '2 deep' model. This means that practices are coached by two adults who are not related to one another. One of them must have completed the background check. For complete details please reference the Youth Fighting website <http://youthfighters.eastkingdom.org/marshallate.html>

Chancellor Minor – Organizes activities for children and teenagers at event.

Chirurgion - The Baronial Chirurgion is in charge of arranging First Aid at Baronial events.
Note: the candidate(s) must be a warranted chirurgion at the time he/she accepts the office.

Upcoming Elections – March

In accordance with Baronial Policy and Procedure, the following Baronial offices' are up for election in March:

Knight Marshal - coordinates Baronial heavy weapons practices, tournaments, etc.

Seneschal - the Baronial 'President,' responsible for all administrative duties of the Barony.

All gentles interested in running for either of these positions must be present at the March business meeting. The incumbent officers must also be present. Candidates will have the opportunity to address the Baronial officers and answer questions at the meeting.

Prior to the meeting, please reference Section II of the Policies & Procedures Manual at [http://groups.yahoo.com/group/settmour_swamp/files/Official% 20Documents/](http://groups.yahoo.com/group/settmour_swamp/files/Official%20Documents/)

Please e-mail the Baronial Seneschal, Lord Erec L'Claire, prior to the meeting with your intention to seek the office.

Heraldic News

Congratulations to the following folks whose names and armory have been registered:

Alexander Younger: Device -- Argent, six pellets in annulo.

Jan Janowicz Bogdanski: Household name -- Herb Podkowa.

Jehane de Fenwyk: Device -- Azure, three enfields rampant within a bordure Or.

Noah de Fenwyk: Device – Azure, three enfields rampant within a bordure Or, overall a label argent

Officer Reports Presented at the February Business Meeting

Location: Lavigne
Recording Scribe: Erec

Attendees: B+B, Alexander, Fred, Galefridus, Kate, Orlando, Charis, Phillip, Jehanine, Cas, Trixie, Owynn, Larry

The meeting was called to order at 7:53 PM, meeting adjourned at 9:52 PM

Herald

Although I'm largely back, I still have some physical limitations that are keeping me from events and meetings. I'll try to make it to the meeting because it's so close, but I can't make any promises for a few weeks yet. My next event out will be K&Q Fencing.

I'll be running a heraldry workshop and a consulting table at Mudthaw for those interested in working on names, devices, etc. I'll also be teaching heraldry basics for people interested in learning.

Are their Excellencies planning on having a Baronial Court at K&Q Fencing? Obviously there will be one at Mudthaw. Anyone interested in helping with Baronial Court at Mudthaw should contact me before the event.

Knight Marshal

Practices continue at Nutley. Sunday practices in Flemington have been designated by Ld. Jibril alDhakhil as an Unbelt Team practice site. The word will be spread as such so that any interested Unbelts can practice 5 man team tactics. Ld. Erich Hundemann has presented his desire to serve in the office of Knight Marshal. He has been approved by the EK Marshal. At each of the several demos I had the honor to arrange he has gladly served and he is a past Baronial Champion. He is highly active in the Society and his schedule permits him to grant the time that the Office is due. I have known him for 9 years within the Society and highly recommend him.

Exchequer

No report

Chronicler

The January issue has been distributed.

Arts & Sciences

Master Alexander Younger made a laurel medallion (metal work) that was presented to Mistress Briony at Birka court for her elevation to a Laurel.

For Birka their Majesties Brenwen II and Konrad II were presented with viking clothing made by the hands of: Master Safi Al Khansa, Maîtresse Jehannine de Flandres, Baronness Viennet de la Mer, Baronness Catheryn Shadwell, Lord Thorlaeifr Hvitskegg, Lady Eleanor, Lady Katheryn Fontaine, Lady Theresa, Lady Kay Fontaine. All received seamstress/tailor to the crown tokens at court.

And Lydia Oenothera FitzWauter was published in TI#173 Hints from War Cooks.

Mistress of Lists

No report

Chatelaine

Gabi's got a new email address, it is gabiappinelli@live.com

Marshal of Fence

Swamp Fencing Marshal reports that for the month of January, Thursday night practices are going well, though we are actively looking for a new, less expensive site. Thomas DeCastillon came up to fence with us last week. No one, however, showed up at the Sunday practice in Flemington, as it was the day following the event. That's all.

Captain of Archers

Archers are still hibernating and will start stirring next month, weather permitting.

Marshal of Thrown Weapons-

No report

Chirurgion (Acting)

No report

Chamberlain

No change, no shelves, although measurements were made and plans are in place to buy ready made shelving and to install it once the weather breaks.

Webmistress

Updated the calendar through April: Updated the front page to say that K&Q Fencing is our next event: Updated the Meetings page, updated the Events page: Was contacted by Owynn that he'd like to submit a redesign for the site:



Upcoming Exhibit at the Metropolitan Museum of Art, New York,

The Art of Illumination: The Limbourg Brothers and the Belles Heures of Jean de France, Duc de Berry, March 2, 2010 – June 13, 2010,. Robert Lehman Wing

The *Belles Heures* (1405–1408/9) of Jean de Berry, a treasure of The Cloisters collection, is one of the most celebrated and lavishly illustrated manuscripts in this country. Because it is currently unbound, it is possible to exhibit all of its illuminated pages as individual leaves, a unique opportunity never to be repeated. The exhibition will elucidate the manuscript, its artists—the young Franco-Netherlandish Limbourg Brothers—and its patron, Jean de France, duc de Berry. A select group of precious objects from the same early-fifteenth-century courtly milieu will place the manuscript in the context of the patronage of Jean de Berry and his royal family, the Valois.

Practices and Activities

Archery Practice

Second and fourth Sunday, St. Paul's Church, Flemington, NJ.

Sundays at the home of Elizabeth Hawkwood, beginning October 1 and thru the end of March (weather permitting). Anyone interested in shooting, please contact Elizabeth at hawkwoode@att.net or call 908-996-6315 for directions and information.

Arts & Sciences Activities

Third Wednesday, 7:30 PM, St. Luke's Episcopal Church, 346 High Street (Rt 609), Hope, NJ.
Contact fafnir62@yahoo.com for information.

Fencing Practice

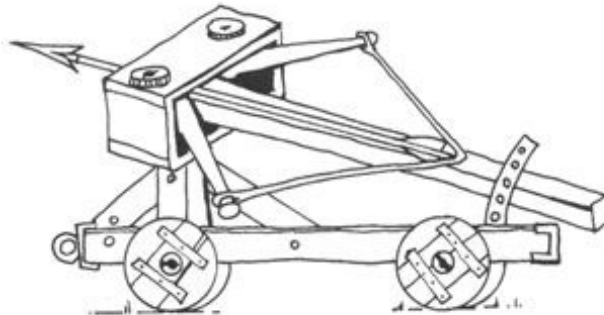
Thursdays from 7:30 PM to 10:00 PM at Maestro Fencing, 217 W Main St, Somerville, NJ 08876
There is a \$5.00 site fee to cover the cost of using the facility. If you have a specific question regarding the practice, please contact Don Malcolm Bowman at malcolm@sourcechronicles.com

Fighter Practice

Wednesdays 6:30PM to 10:00PM, Nutley, NJ. A \$5.00 donation is requested to help defray the cost of the site rental. If you have questions, please email Sir Tanaka Raiko at salvacion_hank@hotmail.com.
If you get lost, Tanaka's pager is 201-232-9337.

Youth Fighter Practice

Practice will held one Sunday each month at St. Paul's Church in Flemington, NJ. Please contact the baronial seneschal for more information.



Directions to Practices

Youth Fighter Practice - St. Paul's Church, Flemington

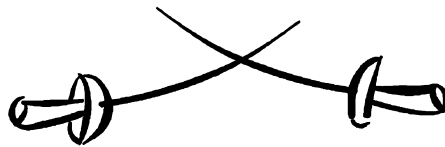
St Paul's is on Rt. 31 in Flemington, next door to the Hunterdon Medical Center, two miles north of the Flemington Circle. Directions are on line.

Fighter Practice - Reformed Church of Nutley, Nutley

The church is on Hillside Crescent, Nutley, NJ. Directions are on line or contact Sir Tanaka Reiko at salvacion_hank@hotmail.com.

Fencing Practice – Maestro Fencing, Somerset

Maestro Fencing is at 217 W Main St, Somerville, NJ. Directions are available on line or contact Don Malcolm Bowman at malcolm@sourcechronicles.com



Baronial Business Meeting

The meeting will be on March 10 at the home of Alexander and Cass. For directions and more information, contact the baronial seneschal Lord Erec L'Claire at seneschal@settmourswamp.eastkingdom.org or call him at 908-268-0725 for more details.

Canton of Gryphonwald Business Meeting

Gryphonwald meetings are held the fourth Sunday of the month. Contact the Gryphonwald seneschal, Lord Pippin a'Bheithir at gryphonwald@settmourswamp.eastkingdom.org for details.

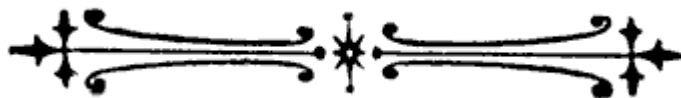
Canton of Marwick Business Meeting

The Canton will meet on March 16 at Calvary Lutheran Church, 108 Eastman Street (on the corner of Eastman and Holly) in Cranford at 7:30 PM. For more details and directions, contact the seneschal, Lord Edmund Patterson at 908-561-2345 or email him at clost95@aol.com

Canton of Marwick Officers

<http://www.marwick.eastkingdom.org>

Seneschal: Don Edmund Patterson (Chris Lotano) (no calls after 9:30 PM please) clost95@aol.com	908-561-2345
Deputy Seneschal: Mistress Jessa d' Avondale (Marla Lecin) mlecin@gmail.com	732-563-1029
Exchequer: Lady Jehane de Fenwyk (Judithann Wapelhorst) jehane@marwick.eastkingdom.org	
Herald: Dona Emeline Patterson (Kirsten Lotano) (no calls after 9:00 PM, please)	908-561-2345
Knight Marshall: Lord Owynn Greenwood (Michael Sklower)	908-447-2979
Marshal of Fence: Don Edmund Patterson	908-561-2345
Minister of Arts & Sciences: Lord Thorlaeifr Hvitkegg (Anthony Depczynski) thorlaeifr@marwick.eastkingdom.org	908-406-0143
Webmaster: Lord Owynn Greenwood	908-447-2979



Canton of Gryphonwald Officers

<http://www.settmourswamp.eastkingdom.org/gryphonwald.html>

Seneschal: Lord Pippin a'Bheithir (Pippin Carino)
311 Somerset St, New Brunswick, NJ 08801
gryphonwald@settmourswamp.eastkingdom.org

Chancellor of the Exchequer: Ryan (Ryan Brogan)
Gryphonwald-exchequer@settmourswamp.eastkingdom.org

Chatelaine: Failenn Finn (Megan Geyer)
Gryphonwald-chatelaine@settmourswamp.eastkingdom.org

This is the March 2010 issue of *The Mudpuppy*, a publication of the Barony of Settmour Swamp of the Society for Creative Anachronism, Inc. (SCA, Inc). The Mudpuppy is available from Baroness Elizabeth Hawkwood (Elizabeth Dobo, 71 Sky Manor Rd, Pittstown, NJ 08867). It is not a corporate publication of the Society for Creative Anachronism, Inc., and does not delineate SCA Inc. policies. Paper copies are available for a suggested donation of \$12 for 12 issues. Make checks payable to "SCA, Inc. – Barony of Settmour Swamp." For electronic (email) subscription, please contact chronicler@settmourswamp.eastkingdom.org Copyright 2010 Society for Creative Anachronism, Inc. (except where noted) For information on reprinting photographs, articles or artwork from this publication, contact the chronicler, who will assist you in contacting the original creator of the piece. Please respect the legal rights of our contributors.

Barony of Settmour Swamp Officers

<http://www.settmourswamp.eastkingdom.org>

Baron: Alexander MacGregor (Dave DeVito) 307 Village Drive, Somerset NJ 08873 baron@settmourswamp.eastkingdom.org	732-297-1721
Baroness: Rhiannon de Carreg Cennen (Bev Altrath) 163 Anderson Rd., Asbury, NJ 08802 baroness@settmourswamp.eastkingdom.org	908-537-7495
Seneschal: Lord Erec L'Claire (Eric Erb) seneschal@settmourswamp.eastkingdom.org	908-268-0725
Sinking Tower Pursuivant: Mistress Alys Mackyntoich (Alissa Pyrich) 180 W. Hanover Ave., Morristown, NJ 07960 herald@settmourswamp.eastkingdom.org	973-267-4818
Knight Marshal: Lord Aodhan O'Dunlaing (John Dowling) marshal@settmourswamp.eastkingdom.org	908-782-3303
Chancellor of the Exchequer: Lady Siobhna ap Prechainn (Elizabeth Green) e.rose.green.@gmail.com	732-300-0303
Chronicler: Baroness Elizabeth Hawkwood (Elizabeth Dobo) 71 Sky Manor Rd, Pittstown, NJ 08867 chronicler@settmourswamp.eastkingdom.org	908-996-6315
Chirurgion (Acting): Master Phillip Reed the Facetious (Scott Berk) chirurgion@settmourswamp.eastkingdom.org	908-319-1847
Webmistress: Lady Eleanor Callaghan (Tami Yaches) webmaster@settmourswamp.eastkingdom.org	908-230-8617
Minister of A&S: Baroness Jehannine de Flandres (Jeanne Berk) MAS@settmourswamp.eastkingdom.org	908-319-0765
Mistress of Lists: Lady Ceara MacKieran MoL@settmourswamp.eastkingdom.org	
Chatelaine: Morgaine a Bheithir (Robyn Bauman) chatelaine@settmourswamp.eastkingdom.org	732-297-8240
Marshal of Fence: Don Orlando Sforza (George LaVigne) (please no calls after 10:00pm) fencing@settmourswamp.eastkingdom.org	908-850-8690
Marshal of Thrown Weapons: Padraig Quinn (Michael Piscetelli) thrownweapons@settmourswamp.eastkingdom.org	908-208-9662
Captain of Archers : Lord Thorlaeifr Hvitskegg (Anthony Depczynski) archery@settmourswamp.eastkingdom.org	908-406-0143
Chamberlain: Lady Gudrun Gudmunderdottir (Pat Butler) 626 Oxford St., Belvedere, NJ 07823 chamberlain@settmourswamp.eastkingdom.org	973-219-5694

